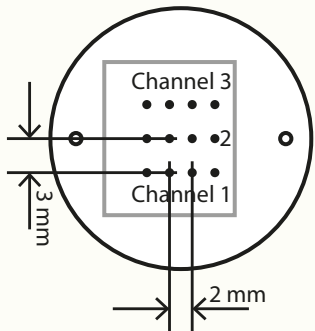


Standard Press Contact Pin Arrangements

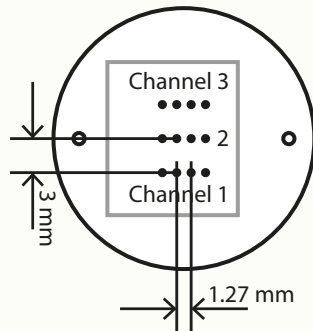
Custom designs available on request.

PC-RES



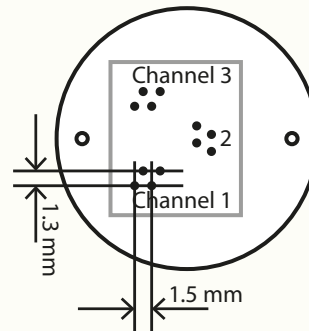
Standard 2 mm pin pitch.

PC-RES-FINE



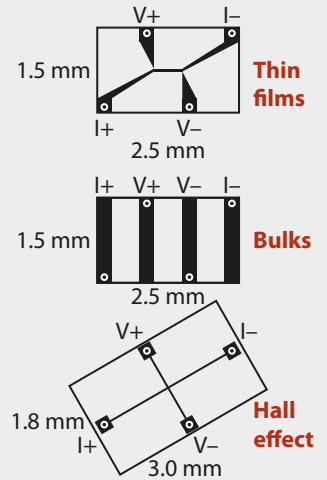
Smallest possible linear pin spacing requires at least a 4 mm long sample.

PC-RES-TINY

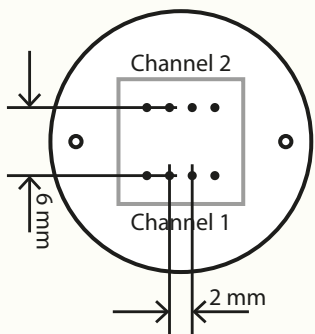


Non-linear pin arrangement to accommodate samples as small as 2.5 mm long. Can also be used for four-point Hall measurements.

SAMPLE REQUIREMENTS FOR PC-RES-TINY

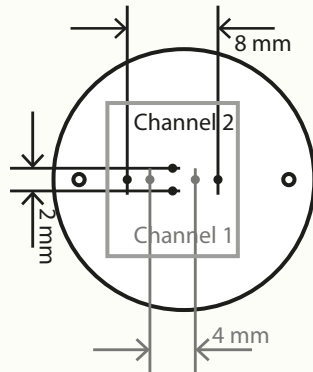


PC-ACT



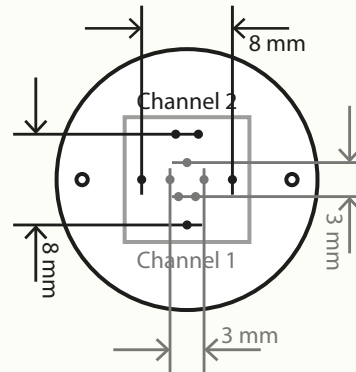
Standard 2 mm pin pitch.

PC-HALL-RES



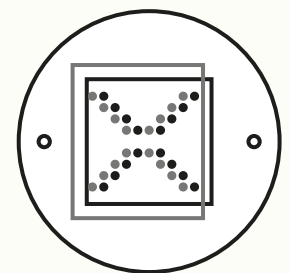
Four-point Hall measurement. Ch. 1 suited to samples ~ 5x3 mm. Ch. 2 suited to samples ~ 10x3 mm.

PC-HALL-ACT



Five-point Hall measurement. Ch. 1 suited to samples ~ 4x4 mm. Ch. 2 suited to samples ~ 10x10 mm.

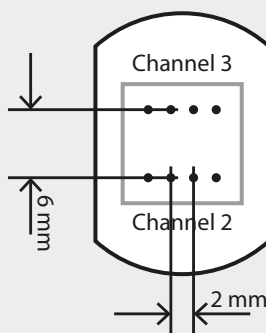
PC-VDP-RES PC-VDP-ACT



User-selectable 2x2, 4x4, 6x6 or 8x8 mm square pin layout for van der Pauw measurements.

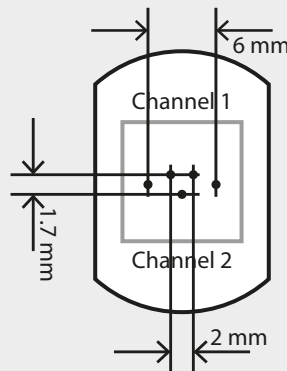
Rotator Press Contact Pin Arrangements

PC-ROT-RES



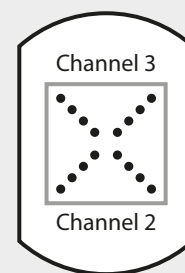
Standard 2 mm pin pitch.

PC-ROT-ACT



Ch. 1 for 5-point Hall measurement. Ch. 2 for resistivity measurement. Standard 2 mm pin pitch.

PC-ROT-VDP-RES



Factory-set 2x2, 4x4, 6x6 or 8x8 mm square pin layout for van der Pauw measurements. Options available for Ch. 2 resistivity and Ch. 3 Hall or resistivity on both channels.

